



TriSole, page 10

TriSole

- Triangular mounting system for flat-roofs, including those of corrugated and trapezoid sheet metal.
- Suitable for nearly all normal and particularly oversized framed PV-modules.
- Variable mounting system for module frame heights of 34–51 mm and 31 mm.
- Durable components made of high-grade aluminium and stainless steel.



ConSole 4.1, 4.2, 5.2, 6.2, 4 Size variants for installing PV-modules

Determining the ballast

The respective ballast weight depends on the local conditions such as building height and wind load zone conditions. Pebbles, stones, footway flagstones or similar materials are all suitable for properly ballasting a ConSole system.



Fixing U-profiles

Each PV-module requires 2 U-profiles in order to fasten the module onto the ConSole. The U-profiles are installed on the underside of the module using the boreholes in the module frame.



Preparing the ConSole

The PV-module is placed using the U-profiles on the ConSole assembly edge and centered in the width. The clips on both sides of the U-profile have boreholes that also serve as drilling templates.



Installing the PV-module

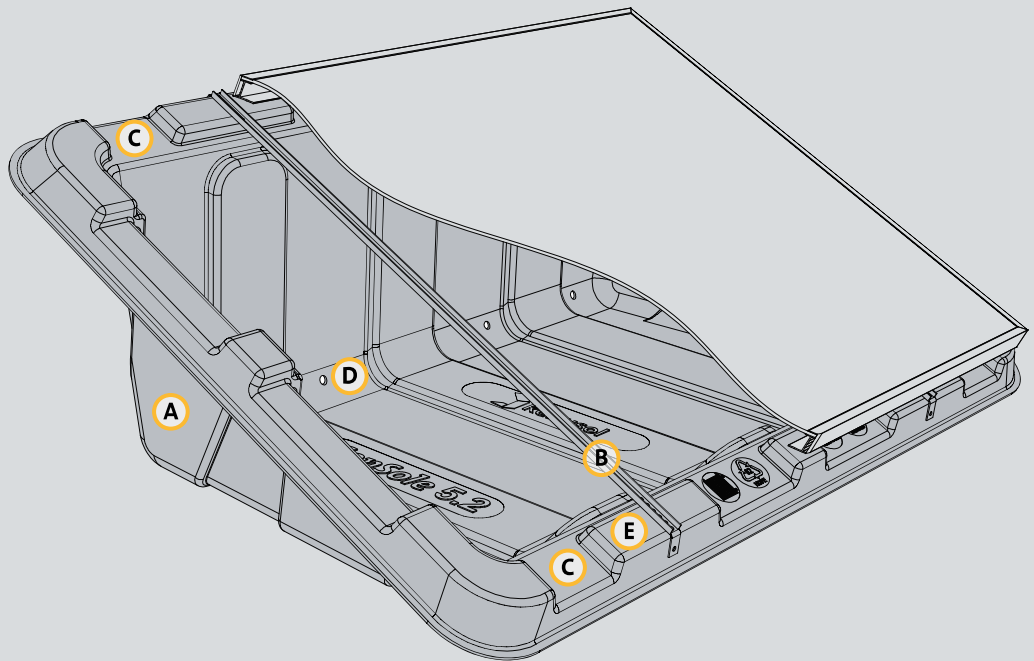
The upper clip on each U-profile are first fastened on the upper ConSole mounting edge in order to prevent the module from slipping. Both clips are then drilled and fastened to the lower assembly edge.



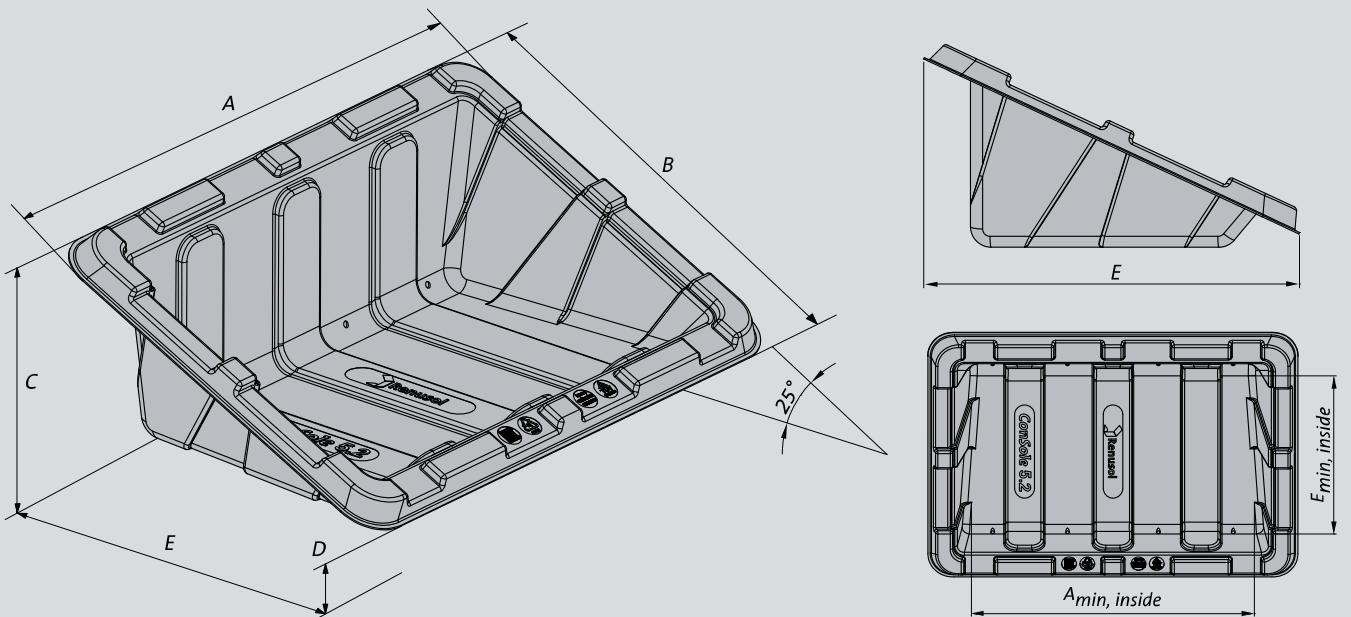
Select the visual appearance

Black module frames achieve a high level of visual uniformity.





- ConSole system overview:**
- A ConSole
 - B U-profile of aluminium
 - C Air slots, top and bottom
 - D Borehole for drainage
 - E All round mounting edge



Recommended measurement of ConSole/PV-module

Measurement	A mm	B mm	C mm	D mm	E mm	A _{min, inside} x E _{min, inside} mm
ConSole 4.1	1,680	840	400	50	740	1,300 x 400
ConSole 4.2	1,240	1,090	530	50	960	890 x 490
ConSole 5.2	1,520	1,080	500	40	960	1,140 x 630
ConSole 6.2	1,740	1,070	500	50	970	1,380 x 630